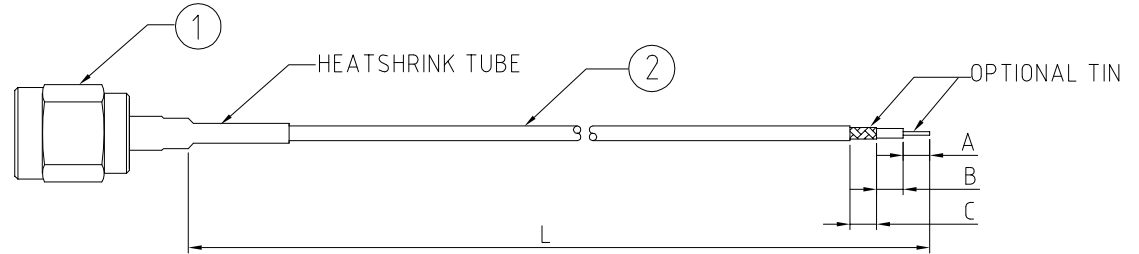


CABLE 095 RF: RF CABLE ASSEMBLY, SMA STRAIGHT PLUG + MUTIPLE CABLE SIZES + STRIP / TIN

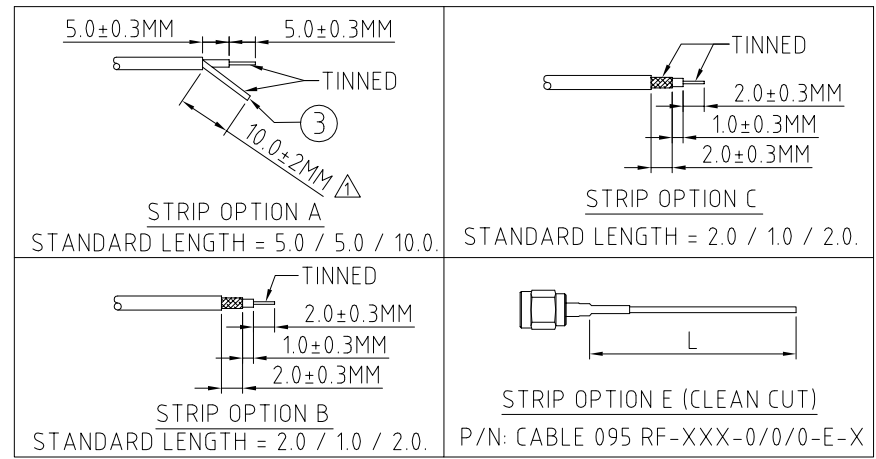
SPECIFICATIONS :

1. SMA STRAIGHT PLUG, PN:
 FOR $\phi 1.37\text{MM}$ CABLE: RFCT-SMA026-M37.
 FOR RG174 & RG316 CABLE: RFCT-SMA027-M74.
2. COAXIAL CABLE, SEE P/N FOR DETAIL.
3. TWISTED BRAID OR FLEXIBLE COPPER WIRE, LENGTH =
 A (CENTRE CONDUCTOR) + B (INSULATOR). MINIMUM = 6.0MM.
 LENGTH 6.0MM - 9.9MM: TWISTED BRAID.
 LENGTH +10MM: FLEXIBLE COPPER WIRE.



NOTES:

1. STRIP DIMENSION A / B / C STANDS FOR A = CENTRE CONDUCTOR, B = INSULATOR, C = BRAID.
2. INSERTION LOSS TEST REPORT IS NOT AVAILABLE.
3. THIS IS OUR STANDARD OFFERING, SPECIAL DESIGNS ARE AVAILABLE, INCLUDING CUSTOM TOLERANCES AND SPECIAL BRAID TINNING DESIGNS. PLEASE CONTACT GRADCONN FOR MORE INFORMATION.
4. CENTRE CONDUCTOR AND TWISTED BRAID OF COAX CABLE IS TINNED. WHEN BRAID LENGTH EXCEEDS 10MM LENGTH OF TINNED COPPER WIRE IS SOLDERED TO THE BRAID/SHIELD OF THE COAX CABLE WHICH ALLOWS SOLDERING TO PCB.



HOW TO ORDER

CABLE 095 RF - X X X - X X / X X / X X - X - X

"L" LENGTH IN MM
 eg: 100MM = 100
 (MIN. 025 - MAX. 400)
 Tolerance: <50mm : $\pm 2\text{mm}$.

51-200mm: $\pm 5\text{mm}$.
 201-400mm: $\pm 7\text{mm}$.
 A/B/C STRIP DIM. IN MM
 FOR STANDARD LENGTH
 PLEASE REFER TO DRAWINGS.
 (SPECIALS AVAILABLE UPON
 REQUEST.)

CABLE OPTIONS:
 1 = $\phi 1.37\text{MM}$ CABLE, COLOR: BLACK
 2 = RG174 CABLE, COLOR: BLACK
 3 = RG316 CABLE, COLOR: BROWN

STRIP AND TIN OPTIONS:
 A = CENTER CONDUCTOR & TWISTED BRAID/SOLDERED COPPER
 WIRE TINNED (SEE NOTE 4 FOR SOLDER TO PCB APPLICATION)
 B = STRIPPED, END A TINNED
 C = STRIPPED, END A & C TINNED
 E = CLEAN CUT

REV. DATE & DRN
10 15/02/10 - NYW RELEASE
11 17/07/11 - NYW
12 15/08/13 - NYW
13 20/05/15 - NYW
14 07/10/16 - RJH
15 20/08/19 - NYW
16 26/11/20 - NYW
17 27/02/23 - NYW

AMEND TOLERANCE
AMEND SPECIFICATION 3
REMOVE STRIP OPTION 'C'
AMEND STRIP OPTION 'A'
ADD CABLE OPTION TO PART NO.
ADD CABLE OPTION TO PART NO.
UPDATE SMA P/N'S
ADD CABLE SIZE OPTION 3

Scale: NTS	THIRD ANGLE	Unstated X XX XXX ANGLES	Tolerances: N/A N/A N/A N/A	Material: SEE NOTE
Drawn: RJH				
App'd: XXX	Title: CABLE ASSEMBLY			NOT TO SCALE
Date: 21 FEB. '23	Revision: 1.7			Unit: mm

THIS DRAWING IS CONFIDENTIAL AND MUST NOT BE COPIED OR DISCLOSED WITHOUT WRITTEN CONSENT

Type: Cable 095 RF
CABLE 095 RF
Drawing Number:
Sheet 1 of 1
Drawing © E and O E